

# Hay dry system



## 1 Hay Drying system consists of

- > 1 pcs. hay drying module.
- > 1 pcs. Connection coupling.
- > 1 pcs. lid.
- > 1 pcs. end piece.
- > 4 pcs. fastening peg and rope.

## Equipment / Spare parts

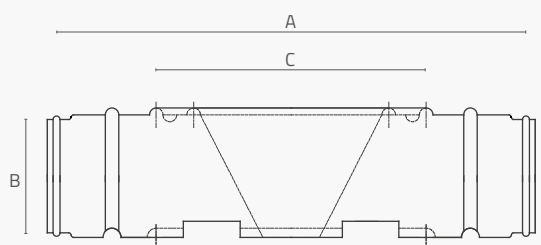
- > Lid – Ø 1070 mm, hight 165 mm.
- > Fixing set for lid – Fastening peg and rope.
- > Round outlet pipe for drying fan connection.
- > Flexible fan hose tube – Ø 300 mm.
- > Coupling – Ø 520-300 mm, depth 230 mm.
- > Cellular rubber – Ø 470 mm, thickness 30 mm, lenght 1670 mm.
- > Drying fan in different sizes and engine power.

Tunetanken Hay drying system is specially developed to dry hay efficiently for a durable, nutritious and high quality fodder.

The bales are stacked individually or two on top of each other on the hay drying modules. Connect the drying fan to the module. The the airflow from the drying fan will circulate through the holes in the module and into the bales. To ensure that the air is circulated in the bales, a lid is placed on top of the upper round bale.

Tunetanken Hay drying system is manufactured in fiber-reinforced composite that ensures a robust product, easy to disassemble and move around as well as stack and put away when not in use.

The composite material ensures hygienic and easy-to-clean surfaces as well as a maintaince free system with a long life cycle.

Illustration	Module lenght (A)	Module hight (B)	Lid (C)	Module width
	1.580	570	Ø 1.070	1.250

\*All undefined measurements are in mm.